



Air Curtain Ultra™

Models with swing door:

ACU1826R, ACU1826L

Models with sliding door:

ACU1826RS, ACU1826LS

Features & Benefits

- Insulation
 - Superior insulation throughout the cabinet and door to maximize interior temperature retention.
- 3D Air Screen allows for open door operation
 - The 1/2 HP Hi-Torque condensing unit and multi-fan system maintains cabinet temperatures of 41°F or below with the door open for up to 2 hours, while providing the fastest cool down time.
- Advanced Digital Controls
 - Intuitive control panel includes:
 - Temperature set points
 - Actual temperature indicator
 - Clean condenser reminder
 - On-demand defrost with a defrost cycle indicator light
 - Door open alarm (when open beyond allowed time span.)
- Tilt-Capable Tray Slides
 - Tray slide holds 10 full-size or 20 half size sheet pans via secure bottom support at 4.5" standard spacing with tilt feature, allowing cans and bottles to gently roll to front for easy access. Tray slides are removable for interior cleaning.
- Full 270° Door Swing
 - Door opens 270° and holds open with for easy product access. Easier to clean with a one piece, snap-in magnetic door gasket.
- Optional Accessory
 - Sliding space-saver door:
 - Door opens 90° degrees then tucks compactly into side of unit, maximizing service space.
- Intuitive Temperature Controls for active temperature monitoring and thermometer display.
- Tray slides has secure bottom tray support with tilt mount feature, removable for cleaning.
- Rear mounted Stainless steel push handle bar and recessed side hand grips for firm control during maneuvering.

Project _____

Item No. _____

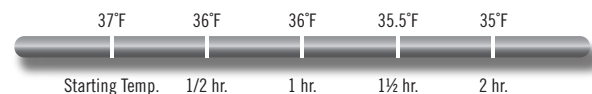
Model No. _____

Quantity _____



- 1/2 HP Hi-Torque condensing unit is bottom mounted and self-contained with active defrost system.
- Full perimeter bumper extends beyond doors and handles for added protection.
- 6", 2 rigid and 2 swivel casters with brake for easy maneuvering in small spaces.
- Available in 1 color, Stainless (000).

Cold Holding



The "curtain" of air is capable of maintaining 41°F (5°C) temperature or below for a maximum of 2 hours based at 75°F / 45% RH. Actual time your unit will run in this temperature zone depends on many factors

Approvals



Information and specifications are subject to change without notice. Please confirm at time of order.

© Cambro Manufacturing Company 5801 Skylab Road, Huntington Beach, California 92647-2056-U.S.A.

Telephone 714 848 1555

Toll Free 800 854 7631

Customer Service 833 935 1091

Printed in USA. 01/20

Air Curtain Ultra™

Models with swing door:

ACU1826R, ACU1826L

Models with sliding door:

ACU1826RS, ACU1826LS

Electrical Data

| CODE | VOLT | WATTS | AMPS | HERTZ | PHASE | PLUG USA | PLUG CANADA |
|------------------|------|-------|------|-------|--------|----------|-------------|
| ACU1826R/L/RS/LS | 120 | 780 | 6.5 | 60 | Single | 5-15P | 5-15P |



Control Panel

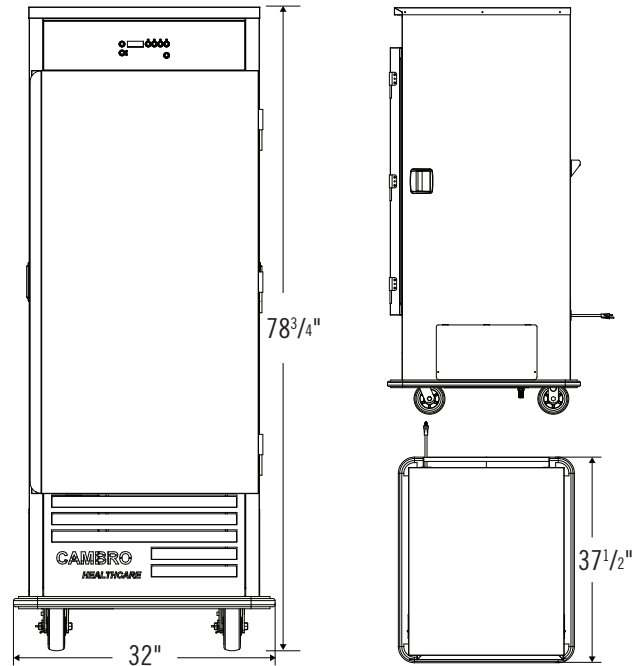


Project _____

Item No. _____

Model No. _____

Quantity _____



Specifications

| Code | Description | Dimensions W x D x H | Unit Weight |
|-----------|--------------------|-------------------------|-------------|
| ACU1826R | Right Door Swing | 32" x 37 1/2" x 78 3/4" | 580 lbs. |
| ACU1826L | Left Door Swing | 32" x 37 1/2" x 78 3/4" | 580 |
| ACU1826RS | Right Sliding Door | 32" x 37 1/2" x 78 3/4" | 580 |
| ACU1826LS | Left Sliding Door | 32" x 37 1/2" x 78 3/4" | 580 |

Case Pack: 1

Standard Colors

Stainless (000)

Architect Specs

Specified unit shall be Cambro Model No. ACU1826, Commercial Refrigerated AirCurtain. R will designate righthand swing. L will designate left-hand swing. RS will designate right-hand swing with sliding door. LS will designate left-hand swing with sliding door. **CONSTRUCTION.** Heliarc welded, single unit construction of stainless steel; 20 gauge polished exterior, 22 gauge stainless steel interior with easy-to-clean coved corners. Welded tubular base frame shall be 1" square, heavy gauge stainless steel tubing, with 10 gauge stainless steel reinforcing stressplates at corners. **INSULATION.** High efficiency insulation throughout cabinet and door. **HANDLES.** Form grip flush-in-wall antimicrobial hand grips recessed mounted on each side of unit and one rear mounted tubular handle. **DOORS AND LATCHES.** Flush mounted, stainless steel insulated doors shall be gasket sealed. Each door shall have three (3) heavy-duty, 12 gauge stainless steel hinges and a magnetic work flow door handle. The hinge mountings are reinforced with stainless steel backing plates **BUMPER.** Solid 1.5" wide continuous wraparound aluminum channel, bolted to frame, with snap-in, non-marking replaceable vinyl cushion. Full perimeter bumper extends beyond doors, handles, etc., for added protection. Shall be continuous with corner cut-outs to facilitate cleaning. **CASTERS.** Maintenance free polyurethane tire casters in a configuration of two (2) rigid and two (2) swivel with brake. Casters shall have a reinforced yoke mounted to 10 gauge caster plate. The caster mounting plate shall be secured to a 10 gauge stainless steel reinforcing stress plate via welded in place stainless steel studs. The reinforcing stress plates shall be welded to the heavy gauge tubular frame of the unit. **TRAY SLIDES.** Secure bottom tray support with tilt mount feature, removable for cleaning. Tray slides are polymer coated, tested and approved to meet the NSF International Corrosion Resistance requirements under NSF Std 51/ASTM b117 Sections 6.2 and 6.2.1. **AIRCURTAIN SYSTEM / CONTROLS.** A 1/2 HP Hi-torque condensing unit, air-cooled closed

system assures optimum performance in high ambient room temperatures. It has a 3 pound receiver charged with environmentally safe non-CFC 404A refrigerant. A thermal expansion valve (for pressure control) also a filter dryer. A high CFM multi-fan design, oversized coated evaporator coil to pressure/displacement curtain of air. A unique air circulation pattern within the food zone, for during periods while door is open it will maintain proper temperatures. Controls shall include an easy to read digital display for cabinet temperature (with recall capability of temperature set point and actual cabinet temperature). Easy to read master ON/OFF button with power indicator light, cooling cycle indicator light, maximum allowed time* with door open warning and automatic shutdown, clean condenser reminder light, on-demand defrost with a defrost cycle indicator light. Defrost element shall be 780 Watts. Adjustable temperature range from 33°F to 38°F (.6°C to 3.3°C) factory preset temperature is 38°F (3.3°C). *ACU1826 model has a maximum allowable 120 minute door open before operator warning and automatic shutdown. **COMPRESSOR / SIZE.** Air-cooled 1/2 HP condenser assures optimum performance in high ambient room temperatures. **ELECTRICAL CHARACTERISTICS.** 3 wire grounded power cord and plug, rear mounted for safety. **INSTALLATION.** Unit should not be installed in an area where adverse environmental conditions are present. Refer to operations manual for further details. **COLOR.** The ACU1826 shall be available in 1 color - Stainless (000)

Approvals



CAMBRO
TRUSTED FOR GENERATIONS™
www.cambro.com

Information and specifications are subject to change without notice. Please confirm at time of order.

© Cambro Manufacturing Company 5801 Skylab Road, Huntington Beach, California 92647-2056-U.S.A.

Telephone 714 848 1555

Toll Free 800 854 7631

Customer Service 833 935 1091

Printed in USA. 01/20